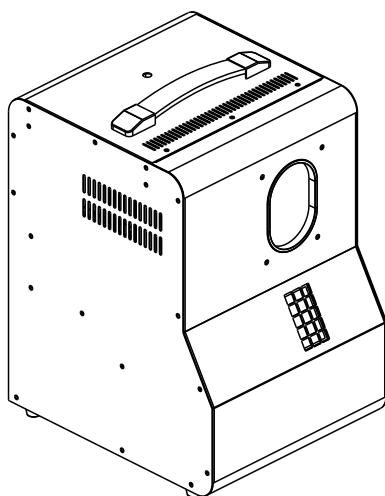


djv[®] BY DJPOWER[®]



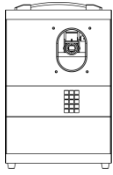
WP-1M BUBBLE FOGGER

USER MANUAL

DJPOWER

1 BEFORE YOU BEGIN

1.1 What Is Included



WP-1M bubble fogger × 1



Power Cord × 1



W-2 wireless remote × 1






Warranty Card × 1

1.2 Unpacking Instructions

Carefully unpack the product immediately and check the container to make sure all the parts are in the package and are in good condition.

If the box or the contents (the product and included accessories) appear damaged from shipping, or show signs of mishandling, notify the carrier or dealer/seller immediately. In addition, keep the box and contents for inspection.

1.3 Symbols

Symbol	Meaning
	Caution Critical installation, configuration, or operation information. Not following these instructions may make the product not work, cause damage to the product, or cause harm to the operator.
	Important Important installation or configuration information. Failure to comply with this information may keep the product from working correctly.
	Information Useful information.

1.4 Disclaimer

The information and specifications contained in this User Manual are subject to change without notice. DJPOWER assumes no responsibility or liability for any errors or omissions and reserves the right to revise or to create this manual at any time. Copyright © 2019 DJPOWER. All rights reserved.

1.5 Safety Notes

Please read the following Safety Notes carefully before working with the product. The notes include important safety information about installation, usage, and maintenance.

1.5.1 Personal Safety

- Always connect the product to a grounded circuit to avoid the risk of electrocution.

- Make sure that children, unauthorized people and animals do not obtain access to the machine.

1.5.2 Mounting and Rigging

- The product is for indoor use only! To prevent risk of fire or shock, do not expose the product to rain or moisture.
- CAUTION: When transferring product from extreme temperature environments, (e.g. cold truck to warm humid ballroom) condensation may form on the internal electronics of the product. To avoid causing a failure, allow product to fully acclimate to the surrounding environment before connecting it to power.
- Do not mount the product on a flammable surface (linoleum, carpet, wood, paper, carton, plastic, etc.).
- Do not use in a confined space. Always install the product in a location with adequate ventilation, at least 20 in (50 cm) from adjacent surfaces.
- Be sure that no ventilation slots on the product's housing are blocked or clogged by dust. If necessary, remove the dust.

1.5.3 Power and Wiring

- Always make sure that the voltage of the outlet to which you are connecting the product is within the range stated on the decal or rear panel of the product.
- Make sure the power cord is not crimped or damaged.
- Never connect this product to a dimmer pack or rheostat.
- Never disconnect the product from power cord by pulling or tugging on the cord.
- To eliminate unnecessary wear and improve its lifespan, during periods of non-use completely disconnect the product from power via breaker or by unplugging it.

1.5.4 Operation

- Do not operate this product if you see damage to the housing or cables. Have the damaged parts replaced by an authorized technician at once.
- Do not use the product as a space heater.
- The maximum ambient temperature (Ta) is 104 °F (40 °C). Do not operate the product at higher temperatures.
- **Do not cover the ventilation slots when operating to avoid internal overheating.**
- **Do not cover or plug the output nozzle during operation.**
- Wipe up spitted fluid immediately. Moisture – also fluid – can destroy the electric.
- Never carry the product by the power cord or any moving part. Always use the handles of the machine.
- **Drain the tank before transporting the product. Bubble fluid or the fog fluid tanks shall be used for the relevant fluid only.**
- Always disconnect the product from the power source before cleaning.
- In the event of a serious operating problem, stop using the product immediately.
- This product contains no user-serviceable parts. Any reference to servicing in this User Manual will only apply to properly trained, certified technicians. Do not open the housing or attempt any repairs which can lead to damage or malfunction.
- **Use only DJPOWER Consumable. Bubble fluid PRO-PW and fog fluid PRO-C are recommended.**



Keep this User Manual for future use. If you sell the product, be sure that the purchaser receives this document.

2 INTRODUCTION

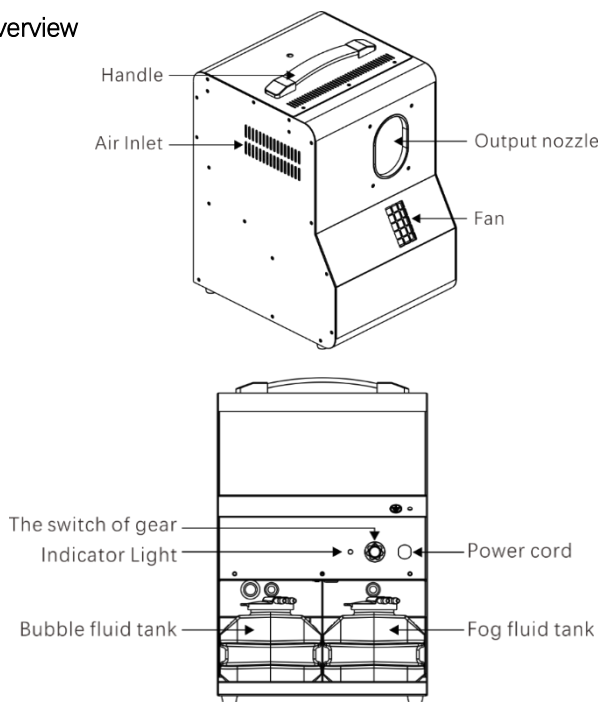
2.1 Description

WP-1M bubble fog machine is the newest bubble blaster from DJPOWER. It comes with patented Jet-design which makes lot of vivid bubbles filled with fog with less fog outside. The excess bubble fluid will flow to waste storage bin instead of dropping on the ground. To protect bubble fluid from getting bad and ensure high quality bubbles, bubble fluid is well stored in the tank. With this feature, the unit can also be mounted high in the truss, launching bubbles all over the sky. No matter for shows , concerts ,parties and events , this unit will be pretty good choice.

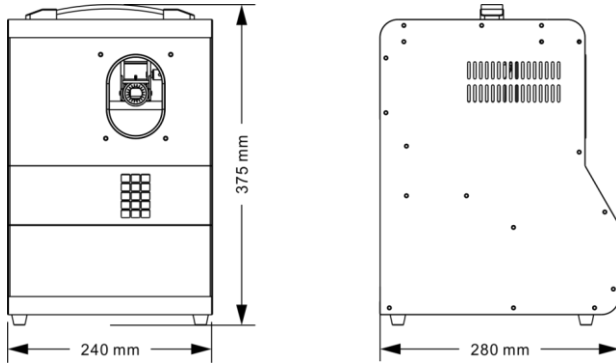
2.2 Features

- Jet design, produce lots of bubbles filled with fog.
- Well-designed heating system releases the fog evenly and purely, no fluid dropping off.
- There are 3 modes, bubble mode, fog mode, bubble fog mode
- Bubble and fog fluid storage in separately.
- The excess bubble fluid will flow back to waste fluid tank.
- Built-in LCD control,3-pin and 5-pin DMX control.

2.3 Product Overview



2.4 Product Dimensions



3 TECHNICAL SPECIFICATIONS

AC Power	Input Voltage & Rate	AC 220-240 V, 50/60 Hz
	Current Limiter Type	Breaker
	Current Limiter Specifications	3 A, 250 V
	Total Power Consumption	550 W
Heating	Heat Up Time	Appr. 2 min
Capacity	Bubble Fluid Tank Capacity	1.3 L
	Fog Fluid Tank Capacity	1.3 L
Output	Adjustable Output	×
	Gear mode switch	OFF/Bubble/Fog/Bubble fog/Remote control
	Max Fog Output Volume	Appr. 2,200 cuft/min
	Max Output Height	Appr. 3 m
	Max Output Distance	Appr. 3 m
	Fog Fluid Consumption (100% Output)	Appr.125 min/L
	Bubble Fluid consumption (100% Output)	Appr.112 min/L
Consumable Type for Standard Output Test	PRO-PW and PRO-C or PRO-J	
Placement & Mounting	Horizontal	√
	Inclined	×
	Sidelong	×
	Hang Upside Down	×
	Rigging & Trussing	×
Control	Wireless Control	√) Manual gear control
	Wired Control	W-2 wireless remote
	Control Protocol	×
	Control Protocol	×
	DMX Channel Range	×
Consumable	Consumable	PRO-PW and PRO-C or PRO-J
Weight & Dimensions	Net Weight	7.8 kg
	Gross Weight	8.5 kg
	Machine Dimensions	240 × 280 × 375 mm
	Packing Dimensions	295 × 340 × 430 mm

4 SETUP

4.1 AC Power

The machine has a fixed voltage power supply and can work with an input voltage of AC 110V-120V, 50/60Hz or AC 220 V-240 V, 50/60 Hz, depending on the specific model.

To determine the product's power requirements (circuit breaker, power outlet, and wiring), use the current value listed on the label affixed to the product's back panel, or refer to the product's specifications chart. The listed current rating indicates the product's average current draw under normal conditions.

⚠ Always connect the product to a protected circuit (circuit breaker or fuse). Make sure the product has an appropriate electrical ground to avoid the risk of electrocution or fire.

ⓘ Never connect the product to a rheostat (variable resistor) or dimmer circuit, even if the rheostat or dimmer channel serves only as a 0 to 100% switch.

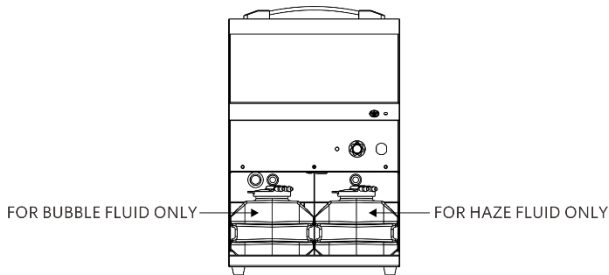
4.2 Mounting

Before mounting the product, read and follow the safety recommendations indicated in the Safety Notes.

4.2.1 Orientation

For safety reasons, we do not recommend mounting the product in any capacity. Operate the product while it is on the ground only, and make sure there is adequate room for ventilation, configuration, and maintenance.

⚠ Do not mix bubble fluid and fog fluid.



4.2.2 Rigging

DJPOWER recommends using the following general guidelines when mounting this product.

- Before deciding on a location for the product, make sure there is easy access to the product for maintenance and programming purposes.
- Make sure that the structure or surface onto which you are mounting the product can support the product's weight (see the Technical Specifications).
- When mounting the product on the floor, make sure that the product and cables are away from people and vehicles.

5 OPERATION

5.1 Preparing for Operation

- After checking that all the parts are intact and complete, position the machine on flat.
- Withdraw the fluid tank from its compartment and remove its cap.
- Verify that the plastic hoses attached to the cap are in place and in good condition without bending or warp.
- Always connect the product to a grounded circuit. Before power on, make sure it is connected with the rated voltage.
- Turn on the machine, and "Heating up" shows on the display during the heating-up process. After approx. 2 minutes, the display changes to "Ready to work" when the machine is ready to output.

5.2 Gear knob setting

1. Follow the gear knob, setting bubble, fog bubble fog, remote control and off mode

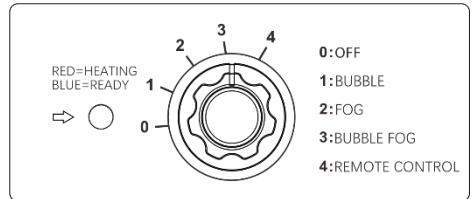
2、 Gear switch 0: stop mode, machine stop working

Gear switch 1, bubble mode (unadjustable)

Gear switch 2, fog mode (unadjustable)

Gear switch 3, bubble fog mode (unadjustable)

Gear switch 4, remote control mode (unadjustable)



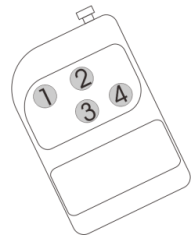
3、 Remote control mode:

Remote transmitter button 1 : Press to start bubble mode (unadjustable)

Remote transmitter button 2 : Press to start fog mode (unadjustable)

Remote transmitter button 3 : Press to start bubble fog mode (unadjustable)

Remote transmitter button 4 : Press to stop mode (unadjustable)



6 TECHNICAL INFORMATION

6.1 Maintenance

After each time use of the bubble fog machine, it is necessary to clean the fog head with clean water in time to prevent the residual bubble liquid on the fog head from solidifying and gluing, which will cause it to fail to be used normally next time!

Do not allow the WP-1M to become clogged due to the sticky bubble fluid. Cleaning and maintenance are necessary.

The recommended cleaning procedure is as follows.

- 1) Unplug the product from power.
- 2) Empty bubble fluid from the machine.
- 3) Add water to the bubble fluid tank.

- 4) Connect the product to power and allow it to warm up. Run the Cleaning Mode through Menu or DMX. Thoroughly rinse the Bubble fluid reservoir.
- 5) Run the product in a well-ventilated area. Do not allow the pump to run dry.
- 6) Excessive dust, fluid residue and dirt will degrade performance and cause overheating. Remove dust from air vents with air compressor, vacuum or soft brush. The casing could be cleaned by the damp cloth.
- 7) Restore the hoses and cap. Store the unit until next use.

The default cleaning time is 1 minute. Without turning of the cleaning mode manually, it will shut of automatically after 1 minute.



Test-run your DJPOWER® WP-1M on a monthly basis to achieve the best performance.

7 STORAGE

7.1 Machine Storage

Before storing the machine, clean it as described in the cleaning procedure above; however, only follow steps 1 through 5. Do not refill the tank with fog fluid if storing the machine. Empty both the bubble and haze fluid tank. Cleaning the system prior to storage will help prevent any particles from condensing inside the pump or heater while not in use.